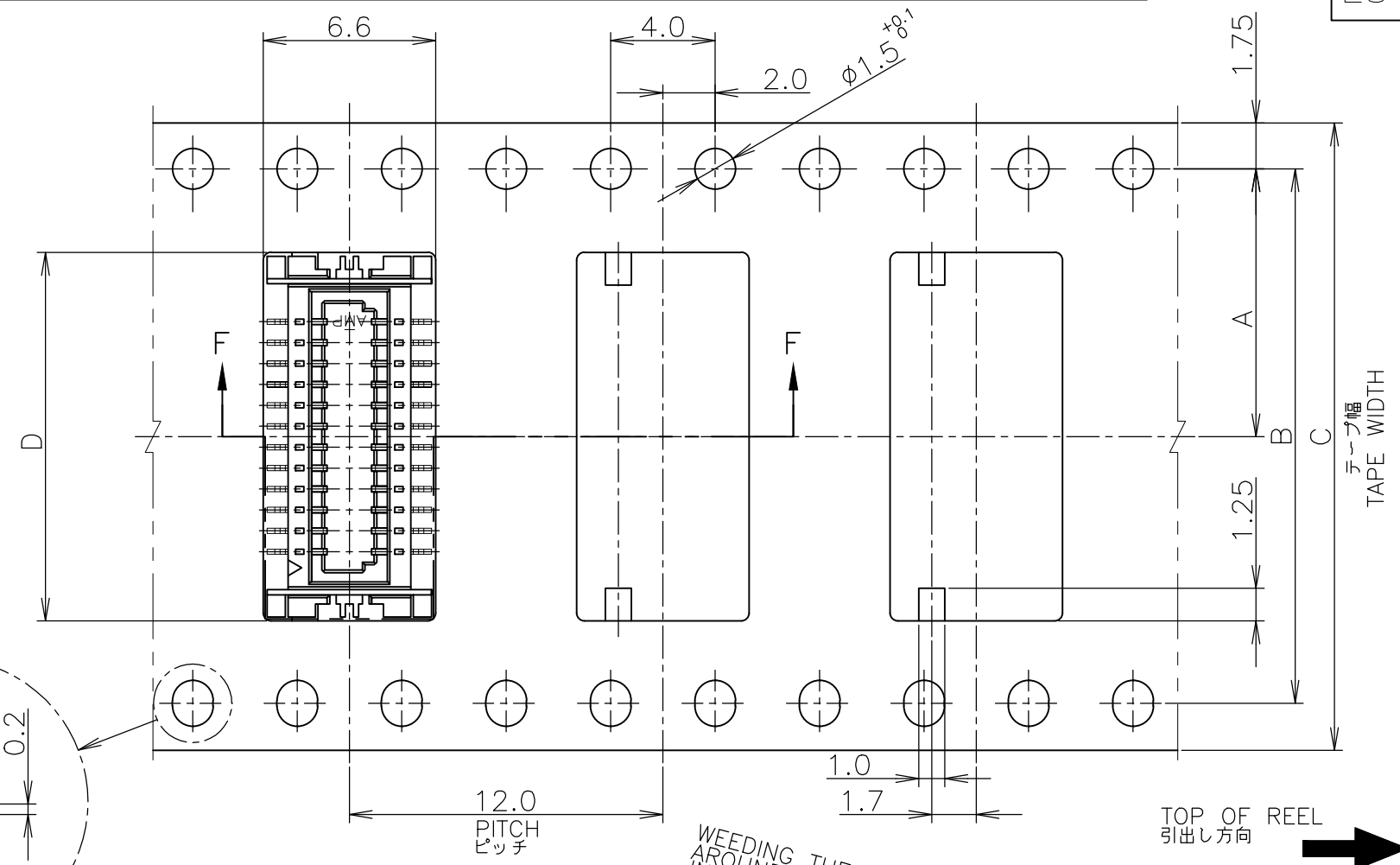
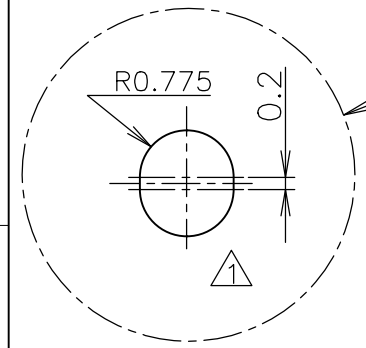
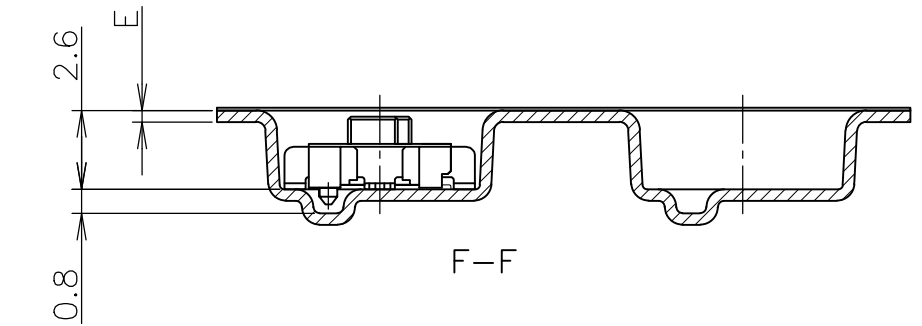


THIS DRAWING IS UNPUBLISHED. RELEASED FOR PUBLICATION FEB, 1994.
 © COPYRIGHT 1994 By - ALL RIGHTS RESERVED.

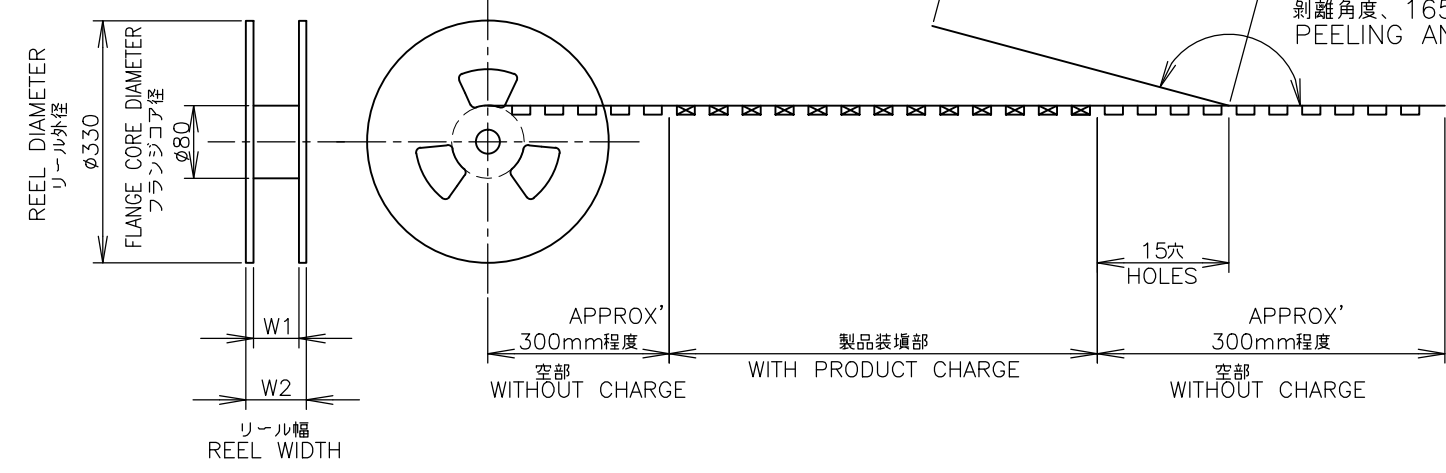
LOC	DIST	REVISIONS					
ES		P	LTR	DESCRIPTION	DATE	DWN	APVD
			H3	REVISED ECR-13-017827	20DEC2013	J.J	W.H



△ 指示穴は40極品以上に適用。
 △ THESE HOLES ARE APPLIED TO 40 POS OR MORE.



WEEDING THE COVER TAPE AROUND THE OUTER PERIPHERY IN A TURN.
 カバーテープリーダ部外周一巻
 剥離角度、165°~180°
 PEELING ANGLE.



OBSOLETE	49.5	45.5	0.38	24.5	44	40.4	20.2	1500	50	5-179396-0
OBSOLETE	37.5	33.5	↑	20.5	32	28.4	14.2	↑	40	4-↑-0
OBSOLETE	↑	↑	↑	16.5	↑	↑	↑	↑	30	3-↑-0
OBSOLETE	29.5	25.5	↑	14.1	24	↑	11.5	↑	24	2-↑-4
OBSOLETE	↑	↑	↑	10.9	↑	↑	↑	↑	16	1-↑-6
OBSOLETE	21.5	17.5	0.38	10.1	↑	↑	↑	↑	14	1-↑-4
	22.4	16.4	0.4	9.3	16	↑	7.5	1500	12	1-179396-2

INSTRUCTION SHEET 取扱説明書	411-5654	W2	W1	E	D	C	B	A	数量 (ヶ) QTY/REEL	極数 POS	リール巻 コネクタ型番 TAPING P/N
----------------------------	----------	----	----	---	---	---	---	---	-----------------------	-----------	------------------------------

THIS DRAWING IS A CONTROLLED DOCUMENT.

DWN K.ASAKAWA 24FEB94
 CHK S.KUBOUCHI
 APVD S.KUBOUCHI 01NOV96

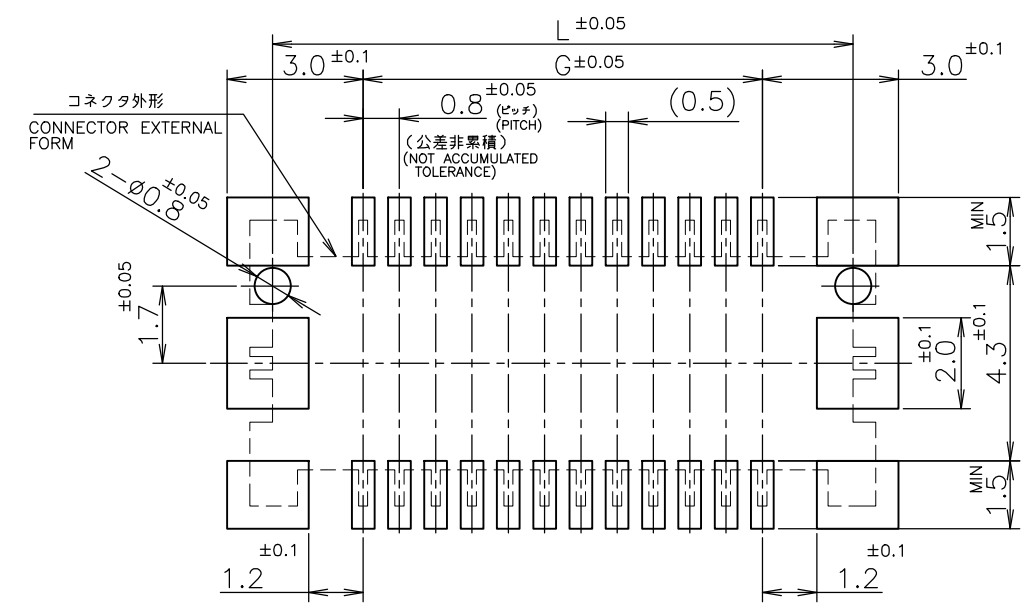
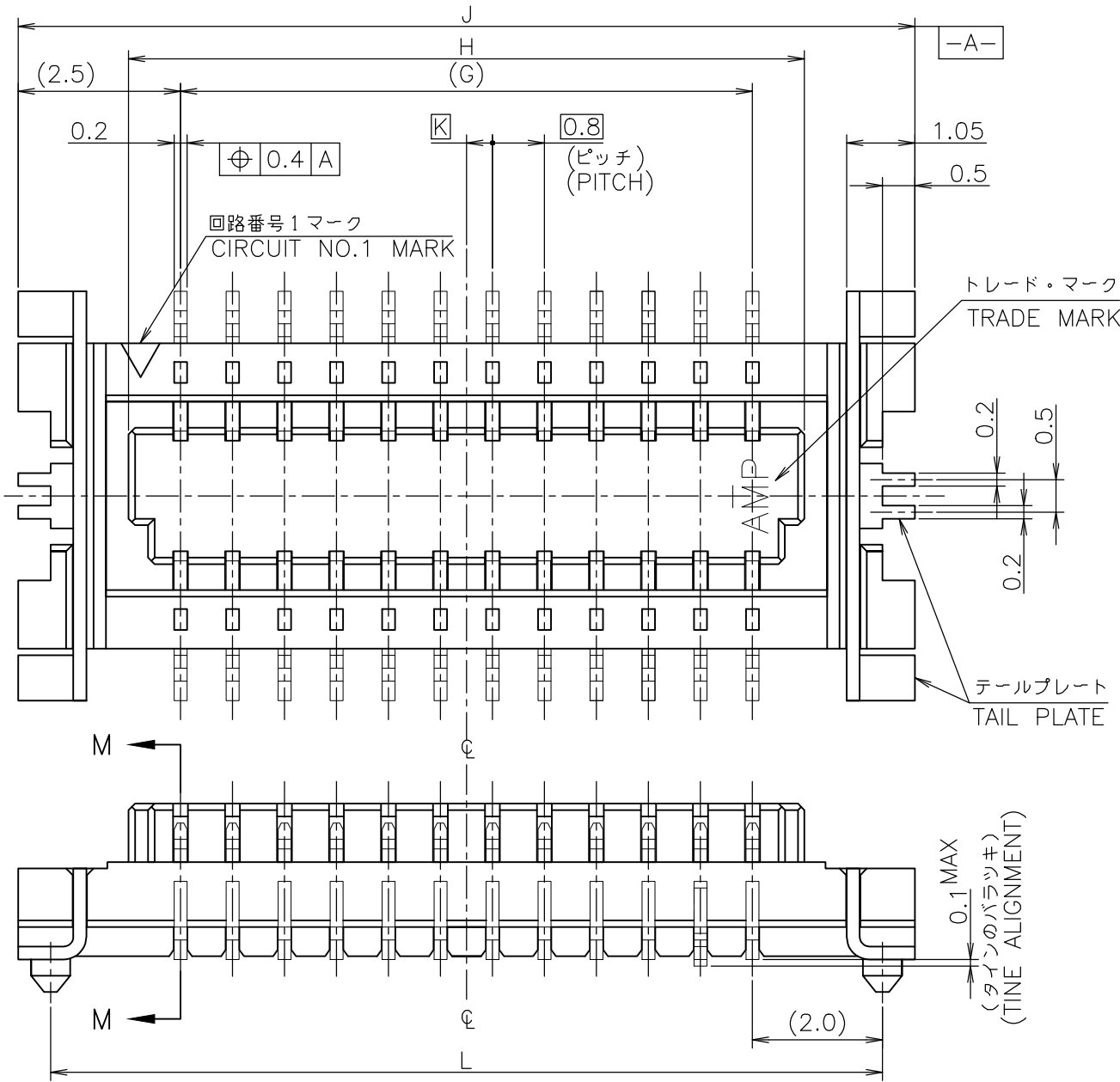
NAME 名称 ON TAPING EMBOSS PLUG ASSEMBLY WITH BOSS
 PRODUCT SPEC 製品規格 108-5424
 APPLICATION SPEC 取付適用規格

SIZE A3 CAGE CODE 00779 DRAWING NO. 番号 C-179396 RESTRICTED TO

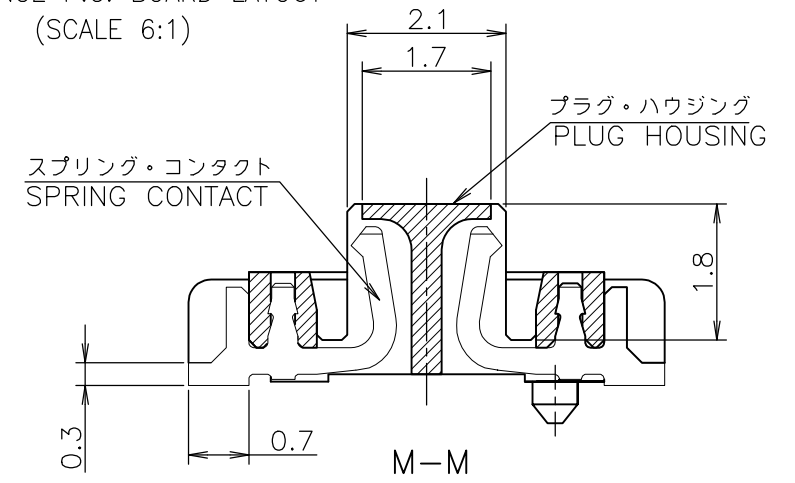
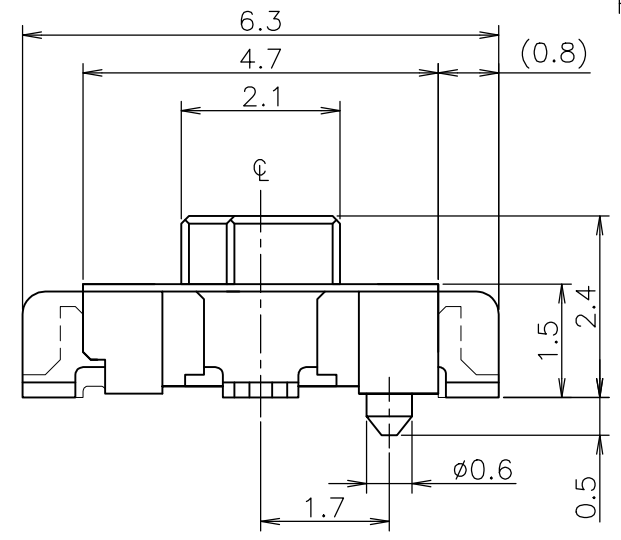
CUSTOMER DRAWING SCALE 尺度 4:1 SHEET 1 OF 2 REV H3

THIS DRAWING IS UNPUBLISHED. RELEASED FOR PUBLICATION FEB, 1994.
 © COPYRIGHT 1994 By - ALL RIGHTS RESERVED.

LOC	DIST	REVISIONS			DATE	DWN	APVD
		P	LTR	DESCRIPTION			
ES		-		SEE SHEET 1	-	-	-



参考基板加工寸法 (t=0.6 MIN.)
 REFERENCE P.C. BOARD LAYOUT
 (SCALE 6:1)



△ 材料: ハウジング - 6T NYLON (高耐熱性ナイロン)
 ガラス30%, 色: ベージュ
 コンタクト - 燐青銅・錫めっき(0.2t)
 テールプレート - 燐青銅・錫めっき(0.2t)

△ MATERIAL: HOUSING - 6T NYLON (HIGH HEAT-RESISTED NYLON), GF30%,
 COLOR: BEIGE.
 CONTACT - POST-TIN/PHOS-BROZ(0.2t)
 TAIL PLATE - POST-TIN/PHOS-BROZ(0.2t)

0.410	23.2	---	24.2	20.75	19.2	50
-0.340	19.2	0.4	20.2	16.75	15.2	40
0.270	15.2	---	16.2	12.75	11.2	30
0.228	12.8	0.4	13.8	10.35	8.8	24
0.172	9.6	0.4	10.6	7.15	5.6	16
0.158	8.8	---	9.8	6.35	4.8	14
0.144	8.0	0.4	9.0	5.55	4.0	12
重量(g) WEIGHT	L	K	J	H	G	極数 POS

THIS DRAWING IS A CONTROLLED DOCUMENT.

DIMENSIONS: 単位: 耗 mm	TOLERANCES UNLESS OTHERWISE SPECIFIED: 一般公差	DWN	 TE Connectivity															
<table border="1"> <tr><td>0 PLC</td><td>± 0.2</td></tr> <tr><td>1 PLC</td><td>± 0.2</td></tr> <tr><td>2 PLC</td><td>± 0.2</td></tr> <tr><td>3 PLC</td><td>± 0.2</td></tr> <tr><td>4 PLC</td><td>± 0.2</td></tr> <tr><td>ANGLES</td><td>$\pm 3^\circ$</td></tr> </table>	0 PLC	± 0.2		1 PLC	± 0.2	2 PLC	± 0.2	3 PLC	± 0.2	4 PLC	± 0.2	ANGLES	$\pm 3^\circ$	<table border="1"> <tr><td>FINISH</td><td>仕上</td></tr> </table>	FINISH	仕上	CHK	NAME 名称
0 PLC	± 0.2																	
1 PLC	± 0.2																	
2 PLC	± 0.2																	
3 PLC	± 0.2																	
4 PLC	± 0.2																	
ANGLES	$\pm 3^\circ$																	
FINISH	仕上																	
	SEE NOTE △ 注△参照	SEE NOTE △ 注△参照	ON TAPING EMBOSS PLUG ASSEMBLY WITH BOSS 0.8mm PITCH BOARD TO BOARD CONNECTOR MATING HEIGHT 3.0mm															
MATERIAL 材料	SEE NOTE △ 注△参照	WEIGHT	SIZE CAGE CODE DRAWING NO A3 00779 G-179396															
CUSTOMER DRAWING		RESTRICTED TO	SCALE 10:1 SHEET 2 OF 2 REV H3															